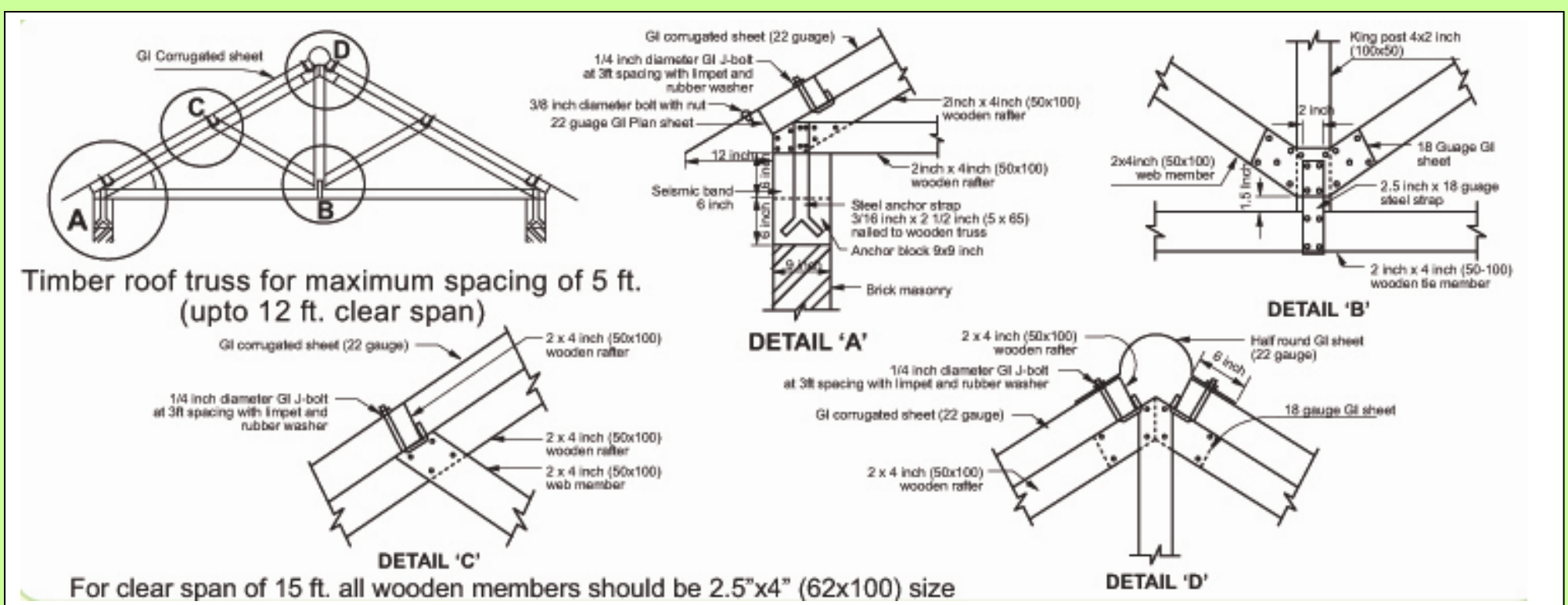




You can make your NEW HOUSE safe against EARTHQUAKE!
FOLLOW 10 RECOMMENDATIONS
For Single Storey Masonry Houses in Cement Sand Mortar

9. Roofs



- Use light roof comprising wooden or steel truss covered with CGI sheets;
- All members of the timber truss or joists should be properly connected as shown in figure;
- Trusses should be properly cross-tied with wooden braces as shown in figure;
- Well seasoned hard wood without knots should be used for roofing. Timber treatment, such as use of coal tar or any other preservative can prevent timber from being decayed and attacked by insects.



Canada

gtz

HEP
PAK



USAID
FROM THE AMERICAN PEOPLE

